



Nameplate Specifications

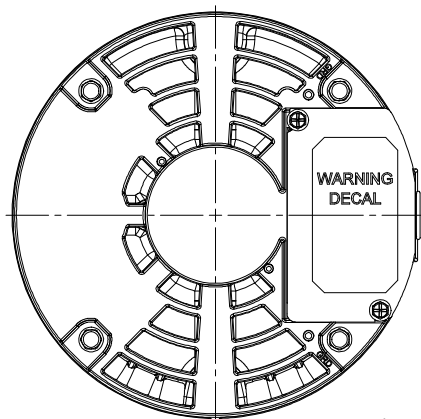
Output HP	1 Hp	Output KW	0.75 kW
Frequency	60 Hz	Voltage	230/460 V
Current	3.2/1.6 A	Speed	3450 rpm
Service Factor	1.25	Phase	3
Efficiency	77 %	Duty	Continuous
Insulation Class	F	Design Code	B
KVA Code	J	Frame	56C
Enclosure	Drip Proof	Overload Protector	No
Ambient Temperature	40 °C	Drive End Bearing Size	6203
Opp Drive End Bearing Size	6203	UL	Recognized
CSA	Y	CE	Y
IP Code	22		

Technical Specifications

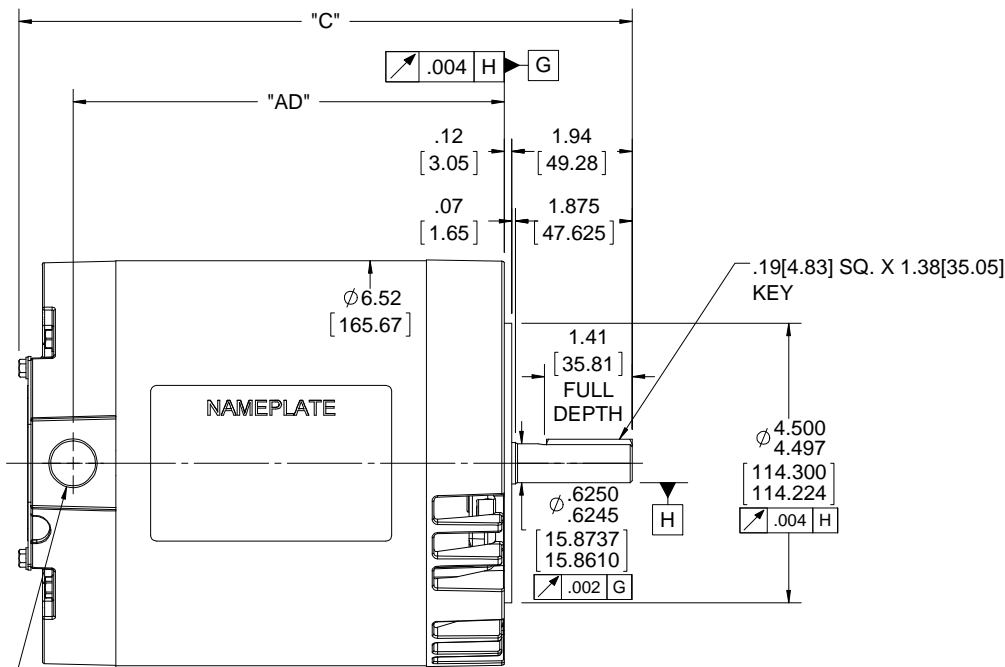
Electrical Type	Squirrel Cage Inverter Rated	Starting Method	Line Or Inverter
Poles	2	Rotation	Reversible
Mounting	Round	Motor Orientation	HORIZONTAL
Drive End Bearing	BALL	Opp Drive End Bearing	BALL
Frame Material	Rolled Steel	Shaft Type	NEMA 56
Overall Length	9.87 in	Frame Length	5.00 in
Shaft Diameter	0.625 in	Shaft Extension	1.88 in
Assembly/Box Mounting	F1 ONLY		
Outline Drawing	607-0329-500	Connection Diagram	005010.20

B

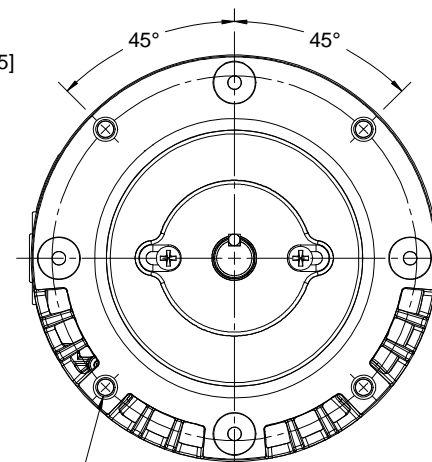
B



1/2 - 14 NPT (PLUGGED)

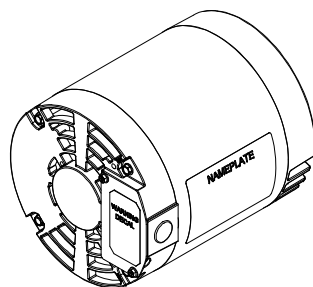


(4) 3/8-16 UNC - 2B X .56[14.22] DEEP ON A Ø5.875[149.225] B.C.



A

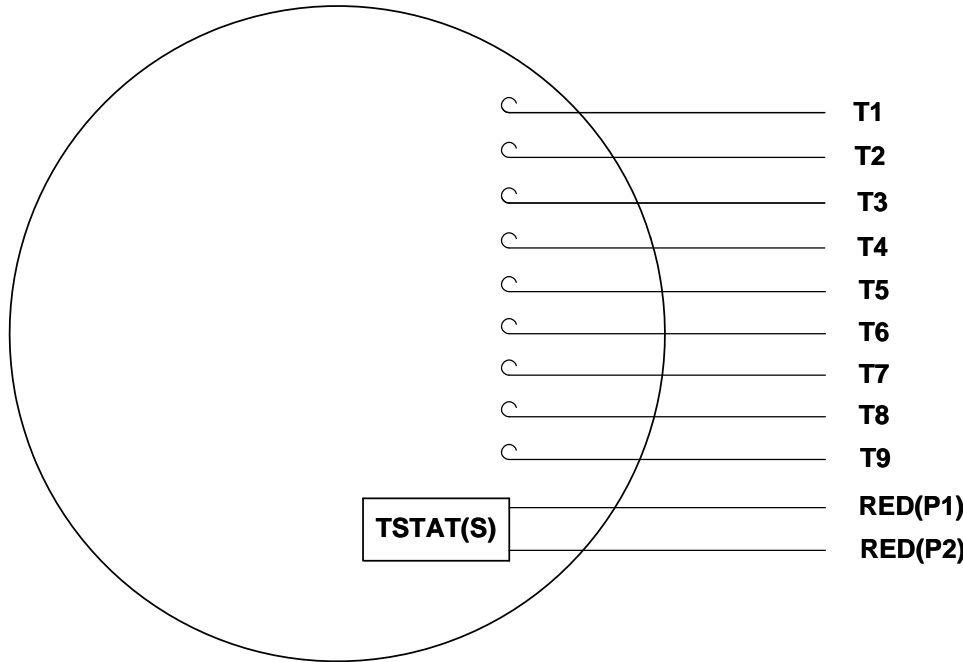
A



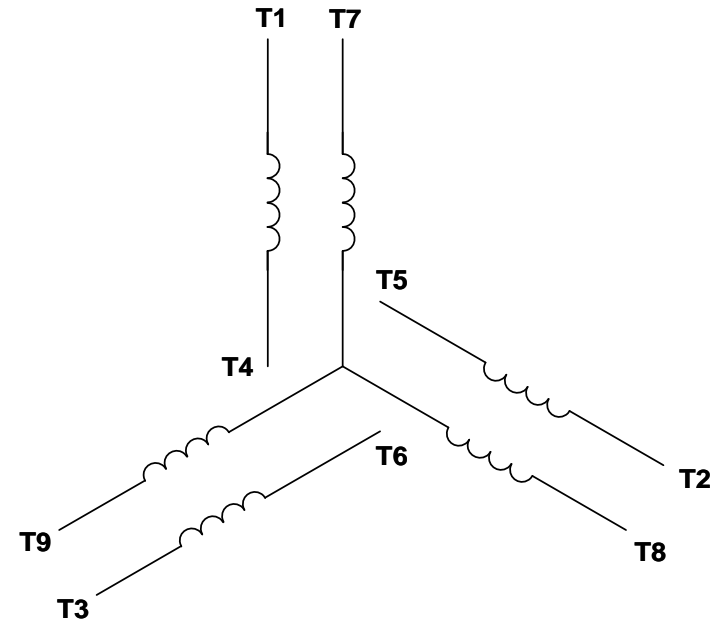
DASH NO.	"C"	"AD"
500	9.87 [250.70]	6.94 [176.28]
600	10.87 [276.10]	7.94 [201.68]

DRAWING REVISION A	REVISION BY	DATE	TOLERANCES UNLESS OTHERWISE SPECIFIED: DEC. INCH mm ANGLE .X ±0.1 [±2.5] ±7-30° .XX ±0.03 [±0.76] .XXX ±0.005 [±0.127] .XXXX ±0.0005 [±0.0127]	DRAWN BY T AHER	Regal Beloit America, Inc.
ECO ECO-0140840	APPROVED BY	DATE	REMOVE BURRS & BREAK SHARP EDGES: .003/.015 [0.076/.381] X 45° CORNER FILLETS: R.02 [51]	DATE 12/19/2017	
ECO DESCRIPTION OUTLINE CONVERSION PROJECT COPYRIGHT REGAL BELOIT AMERICA, INC. ALL RIGHTS RESERVED. PROPRIETARY AND CONFIDENTIAL INFORMATION - THIS DOCUMENT IS THE PROPERTY OF REGAL BELOIT AMERICA, INC. (OWNER) AND CONTAINS OWNER'S PROPRIETARY INFORMATION. ANY PERSON, CORPORATION OR OTHER FIRM RECEIVING IT IS DEEMED, BY RECEIVING IT, TO AGREE THAT IT, AND/OR ANY PART OF IT, SHALL NOT BE DISCLOSED TO ANY PERSON, CORPORATION OR OTHER ENTITY, DUPLICATED, AND/OR USED, EXCEPT AS EXPRESSLY APPROVED IN WRITING IN ADVANCE BY OWNER. THIS DOCUMENT SHALL BE RETURNED TO OWNER UPON REQUEST. IT MAY BE SUBJECT TO CERTAIN RESTRICTIONS UNDER APPLICABLE EXPORT CONTROL LAWS AND REGULATIONS.			MACHINED SURFACES: 200 INCH/mm 5.1	APPROVED BY PK	DESCRIPTION OUTLINE 56C FRAME, DRIP PROOF - "C" FACE
				DATE 03/08/2018	MATERIAL
				REFERENCE 607-0192	PROCESS/FINISH
				THIRD ANGLE PROJECTION	SIZE B
				DRAWING NUMBER 607-0329	SHEET 1 OF 1

VIEW FROM OUTSIDE OF MOTOR AT SWITCH END. Uncontrolled Copy



LINE LEADS



VOLTAGE	L1	L2	L3	JOIN & INSULATE
HIGH	T1	T2	T3	(T4,T7) (T5,T8) (T6,T9)
LOW	T1,T7	T2,T8	T3,T9	T4,T5,T6

DRAWING REVISION **G** REVISION BY **MVG** DATE **04/05/2017**

ECO **ECO-0121253** APPROVED BY **SM** DATE **04/05/2017**

ECO DESCRIPTION
ADDED P1 & P2 FOR TSTAT

COPYRIGHT REGAL BELOIT AMERICA, INC. ALL RIGHTS RESERVED.
PROPRIETARY AND CONFIDENTIAL INFORMATION - THIS DOCUMENT IS THE PROPERTY OF
REGAL BELOIT AMERICA, INC. ("OWNER") AND CONTAINS OWNER'S PROPRIETARY
INFORMATION. ANY PERSON, CORPORATION OR OTHER FIRM RECEIVING IT IS DEEMED,
BY RECEIVING IT, TO AGREE THAT IT, AND/OR ANY PART OF IT, SHALL NOT BE DISCLOSED
TO ANY PERSON, CORPORATION OR OTHER ENTITY, DUPLICATED, AND/OR USED, EXCEPT
AS EXPRESSLY APPROVED IN WRITING IN ADVANCE BY OWNER. THIS DOCUMENT SHALL
BE RETURNED TO OWNER UPON REQUEST. IT MAY BE SUBJECT TO CERTAIN
RESTRICTIONS UNDER APPLICABLE EXPORT CONTROL LAWS AND REGULATIONS.

TOLERANCES UNLESS OTHERWISE SPECIFIED:

DEC.	INCH	mm	ANGLE
.X	±0.1	[±2.5]	±0.5°
.XX	±0.01	[±0.25]	
.XXX	±0.005	[±0.127]	
.XXXX	±0.0005	[±0.0127]	

REMOVE BURRS & BREAK SHARP EDGES: .003/.015 [.076/.381] X 45°
CORNER FILLETS: R.02 [.51]
MACHINED SURFACES: 125/3.2 INCH/mm
mm SHOWN IN [BRACKETS]

DRAWN BY **DBT 12/16/97**

DATE

APPROVED BY **KH 12/17/97**

DATE

REFERENCE

THIRD ANGLE PROJECTION

REGAL™ Regal Beloit America, Inc.

DESCRIPTION
CONN DIAGRAM-EXTERNAL
3 PHASE WITH PROTECTOR

MATERIAL **DECAL - 004014 (TSTAT) - 080582** PROCESS/FINISH **STOCK**

SIZE **A** DRAWING NUMBER **00501020** SHEET **1 OF 1**



P.O. BOX 8003
WAUSAU, WI 54401-8003
PH. 715-675-3311

DATA VOLTS: 460

CERTIFICATION DATA SHEET

CONN. DIAGRAM: 005010.20
OUTLINE: 607-0192-500
WINDING: T632161

DR 3

CAT #: E110111.00

TYPICAL MOTOR PERFORMANCE DATA

HP	KW	SYNC RPM	FL RPM	FRAME	ENCLOSURE	TYPE	KVA CODE	DESIGN					
1	0.75	3600	3460	56C	DP	NA	J	B					
PH	HZ	VOLTS	AMPS	START TYPE	DUTY	INSL	S.F.	AMB	ELEV.				
3	60/50	230/460#190/380	3.1/1.55&3.6/1.8	LINE OR INVERTER	CONT	F	1.15	40	3300				
F.L. EFF		3/4 LD EFF		1/2 LD EFF		ELECT. TYPE							
F.L. PF 80.0		3/4 LD PF 74.3		1/2 LD PF 62.6		SQ CAGE INVERTED							
F.L. TORQUE		LR AMPS @ 460 V		L.R. TORQUE		B.D. TORQUE							
1.55 LB-FT		10.0		3.6 LB-FT 232%		5.0 LB-FT 323%							
PRESSURE @ 3		POWER		ROTOR WK²		MAX. LOAD WK²		SAFE STALL TIME		STARTS/HOUR		MOTOR WGT	
0 DBA		9 DBA		0.03 LB-FT²		0 LB-FT²		0 SEC.		0		0 LB.	

*** SUPPLEMENTAL INFORMATION ***

DE BRACKET TYPE	ODE BRACKET TYPE	MOUNT TYPE	MOTOR ORIENTATION	SEVERE DUTY	HAZARDOUS LOCATION	DRIIP COVER	SCREENS	PAINT					
C-FACE	STANDARD	ROUND	HORIZONTAL	NO	NONE	NO	NONE	N - LEESON WATTS					
BEARINGS		SHAFT TYPE		SPECIAL DE		SHAFT MATERIAL							
DE ODE	GREASE	BALL BALL	POLYREX EM	STANDARD 56	NONE	1144 STRESSPROOF (C-223)	ROLLED STEEL						
THERMOSTATS		WIDG RTD's		BRG RTD's		THERMISTORS		SPACE HEATERS					
TSTATS (N/C)	PROTECTORS	NOT	NONE	NONE	NONE	FALSE	NA						
R1 (ohms/ph)		R2 (ohms/ph)		X1 (ohms/ph)		X2 (ohms/ph)		Xm (ohms/ph)		VIBRATION (in/sec)		FLOAT	
0		0		0		0		0		0.080		ODE	

* N O T E S *		INVERTER TORQUE: CONSTANT 10:1 INV. HP SPEED RANGE: 1.1 X BASE SPEED			
		ENCODER: NONE			
		BRAKE: NONE			
		FT-LB: NA NONE			
		VOLTAGE: NA NONE			
		UL: Y-(LEESON UL REC)			

DATE:	1/22/2018	Hz:	
-------	-----------	-----	--



Motor Load Data

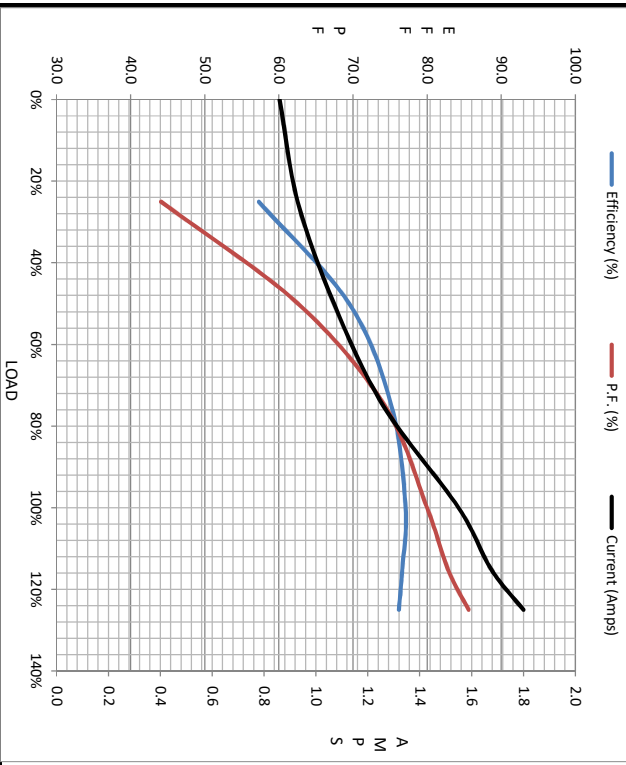
Load	0%	25%	50%	75%	100%	115%	125%	LR
Current (Amps)	0.86	0.93	1.07	1.26	1.55	1.68	1.80	10.0
Torque (ft-lb)	0.00	0.37	0.74	1.13	1.55	1.74	1.93	3.6
RPM	3600	3563	3530	3495	3460	3440	3411	0
Efficiency (%)		57.3	69.5	75.2	77.1	76.7	76.2	
P.F. (%)	23.1	44.1	62.6	74.3	80.0	82.8	85.6	0.0

Motor Speed Data

	LR	Pull-Up	BD	Rated	Idle
Speed (RPM)	0	200	2600	3460	3600
Current (Amps)	10.0	9.2	6.0	1.55	0.86
Torque (ft-lb)	3.6	3.5	5.0	1.55	0.00

Information Block

HP	1.0			
Sync. RPM	3600			
Frame	140			
Enclosure	DP			
Construction	NA			
Voltage	230/460#190/380 V			
Frequency	60 Hz			
Design	B			
LR Code letter	J			
Service Factor	1.15			
Temp Rise @ FL	53 °C			
Duty	CONT			
Ambient	40 °C			
Elevation	1,000 feet			
Rotor/Shaft wk ²	0.03 LB-Ft ²			
Ref Wdg	T632161 DR			
Sound Pressure @ 1M	0 dBA			
VFD Rating	CONSTANT 10:1			
Outline Dwg	607-0192-500			
Conn. Diag	005010.20			
Additional Specifications:				
0				
EQUIV CKT (OHMS / PHASE)				
R1	R2	X1	X2	Xm
0.0000	0.0000	0.0000	0.0000	0.0000



Speed -Torque Curve

